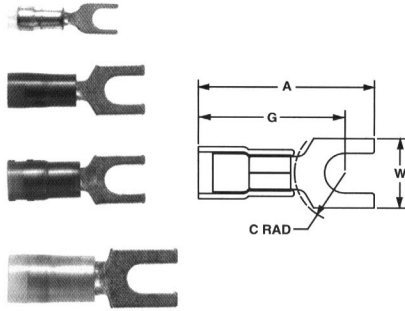


## FORK TERMINALS

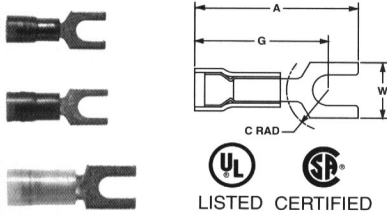
### Nylon Insulated

- Insulation Grip Sleeve



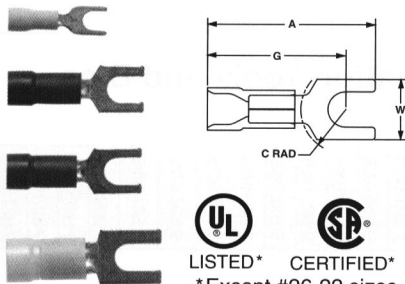
### Nylon Insulated Funnel Entry

- Insulation Grip Sleeve



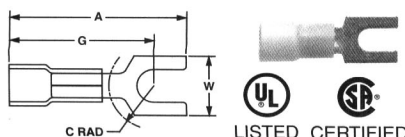
### Vinyl Insulated Funnel Entry

- Insulation Support
- Brazed Seam



### Vinyl Insulated - Expanded Insulation

- For Large Wire Insulation O.D.
- Insulation Support
- Brazed Seam



PANDUIT® Part Number	Wire Range	Color Code	Max. Ins.	Stud Size	Dimensions (In.)				Std. Pkg. Qty.	Std. Ctn. Qty.	Bulk Pkg. Qty.	Bulk Ctn. Qty.	Crimp Tools
					A	W	C	G					
<b>PN22-2F-C</b>	26-22	Yellow	.090	#2	.66	.20	.19	.56	100	1000	1000	6000	CT-100 CT-600 CT-1525
<b>PN22-4F-C</b>	.02 Stock		.090	#4	.67	.20	.21	.57	100	1000	1000	6000	
<b>PN22-6F-C</b>			.090	#6	.77	.25	.26	.63	100	1000	1000	6000	
<b>PN18-6FN-C</b>	22-18 .03 Stock	Red	.145	#6	.78	.24	.20	.64	100	500	1000	6000	CT-100± CT-600± CT-1550± CT-1551±
<b>PN18-6F-C</b>			.145	#6	.78	.30	.20	.64	100	500	1000	6000	
<b>PN18-8F-C</b>			.145	#8	.85	.32	.23	.68	100	500	1000	6000	
<b>PN18-10FN-C</b>			.145	#10	.86	.31	.25	.70	100	500	1000	6000	
<b>PN18-10F-C</b>			.145	#10	.86	.35	.25	.70	100	500	1000	6000	
<b>PN18-14F-C</b>			.145	1/4"	1.03	.44	.33	.78	100	500	1000	6000	
<b>PN14-6FN-C</b>	16-14 .03 Stock	Blue	.162	#6	.79	.24	.19	.65	100	500	1000	6000	
<b>PN14-6F-C</b>			.162	#6	.79	.28	.19	.65	100	500	1000	6000	
<b>PN14-8F-C</b>			.162	#8	.85	.31	.23	.67	100	500	1000	6000	
<b>PN14-10FN-C</b>			.162	#10	.87	.31	.24	.71	100	500	1000	6000	
<b>PN14-10F-C</b>			.162	#10	.87	.34	.24	.71	100	500	1000	6000	
<b>PN14-14F-C</b>			.162	1/4"	1.02	.44	.32	.77	100	500	1000	6000	
<b>PN10-6F-L</b>	12-10 .04 Stock	Yellow	.225	#6	1.02	.31	.22	.82	50	500	500	3000	CT-100± CT-600± CT-1550± CT-1551±
<b>PN10-8F-L</b>			.225	#8	1.05	.37	.22	.81	50	500	500	3000	
<b>PN10-10F-L</b>			.225	#10	1.05	.37	.22	.81	50	500	500	3000	
<b>PN10-14F-L</b>			.225	1/4"	1.16	.49	.30	.89	50	500	500	3000	
<b>PNF18-6F-C</b>	22-18 .03 Stock	Red	.145	#6	.80	.30	.22	.66	100	500	1000	6000	
<b>PNF18-8F-C</b>			.145	#8	.86	.31	.25	.69	100	500	1000	6000	
<b>PNF18-10F-C</b>			.145	#10	.87	.34	.26	.68	100	500	1000	6000	
<b>PNF18-14F-C</b>			.145	1/4"	1.05	.44	.32	.80	100	500	1000	6000	
<b>PNF14-6F-C</b>	16-14 .03 Stock	Blue	.162	#6	.80	.28	.22	.66	100	500	1000	6000	
<b>PNF14-8F-C</b>			.162	#8	.85	.31	.25	.69	100	500	1000	6000	
<b>PNF14-10F-C</b>			.162	#10	.87	.34	.26	.71	100	500	1000	6000	
<b>PNF14-14F-C</b>			.162	1/4"	1.05	.44	.35	.80	100	500	1000	6000	
<b>PNF10-6F-L</b>	12-10 .04 Stock	Yellow	.225	#6	1.00	.31	.24	.83	50	500	500	3000	
<b>PNF10-8F-L</b>			.225	#8	1.08	.37	.24	.83	50	500	500	3000	
<b>PNF10-10F-L</b>			.225	#10	1.08	.37	.24	.83	50	500	500	3000	
<b>PNF10-14F-L</b>			.225	1/4"	1.18	.50	.31	.92	50	500	500	3000	
<b>PV22-2F-C</b>	26-22	Yellow	.110	#2	.65	.21	.18	.56	100	1000	1000	6000	CT-100 CT-600 CT-1525
<b>PV22-4F-C</b>	.02 Stock		.110	#4	.67	.20	.21	.56	100	1000	1000	6000	
<b>PV22-6F-C</b>			.110	#6	.76	.25	.26	.62	100	1000	1000	6000	
<b>PV18-6FN-C</b>	22-18 .03 Stock	Red	.158	#6	.86	.24	.21	.69	100	500	1000	6000	CT-100± CT-600± CT-1550± CT-1551±
<b>PV18-6F-C</b>			.158	#6	.85	.30	.21	.69	100	500	1000	6000	
<b>PV18-8F-C</b>			.158	#8	.93	.32	.25	.73	100	500	1000	6000	
<b>PV18-10FN-C</b>			.158	#10	.93	.31	.25	.75	100	500	1000	6000	
<b>PV18-10F-C</b>			.158	#10	.93	.35	.25	.75	100	500	1000	6000	
<b>PV14-6FN-C</b>			16-14 .03 Stock	Blue	.170	#6	.84	.24	.20	.70	100	500	
<b>PV14-6F-C</b>	.170	#6			.84	.28	.20	.71	100	500	1000	6000	
<b>PV14-8F-C</b>	.170	#8			.90	.31	.23	.74	100	500	1000	6000	
<b>PV14-10FN-C</b>	.170	#10			.92	.31	.25	.75	100	500	1000	6000	
<b>PV14-10F-C</b>	.170	#10			.92	.34	.25	.77	100	500	1000	6000	
<b>PV14-14F-C</b>	.170	1/4"			1.09	.44	.32	.84	100	500	1000	6000	
<b>PV10-6F-L</b>	12-10 .04 Stock	Yellow	.225	#6	1.01	.31	.25	.81	50	500	500	3000	
<b>PV10-8F-L</b>			.225	#8	1.04	.37	.25	.81	50	500	500	3000	
<b>PV10-10F-L</b>			.225	#10	1.04	.37	.25	.81	50	500	500	3000	
<b>PV10-14F-L</b>			.225	1/4"	1.14	.49	.32	.88	50	500	500	3000	
<b>PV18-6FX-C</b>	22-18 .03 Stock	Red	.163	#6	.90	.30	.20	.76	100	500	1000	6000	CT-100± CT-600± CT-1550± CT-1551±
<b>PV18-8FX-C</b>			.163	#8	.97	.32	.23	.80	100	500	1000	6000	
<b>PV18-10FX-C</b>			.163	#10	.97	.35	.25	.81	100	500	1000	6000	
<b>PV14-6FX-C</b>	16-14 .03 Stock	Blue	.200	#6	.89	.28	.16	.75	100	500	1000	6000	
<b>PV14-8FX-C</b>			.200	#8	.96	.31	.20	.79	100	500	1000	6000	
<b>PV14-10FX-C</b>			.200	#10	.97	.34	.22	.80	100	500	1000	6000	
<b>PV10-8FX-L</b>	12-10 .04 Stock	Yellow	.250	#8	1.11	.37	.24	.88	50	500	500	3000	
<b>PV10-10FX-L</b>			.250	#10	1.11	.37	.24	.88	50	500	500	3000	
<b>PV10-14FX-L</b>			.250	1/4"	1.22	.50	.32	.97	50	500	500	3000	

Order the number of pieces required in multiples of standard package quantities.

L = 50 pcs., C = 100 pcs., D = 500 pcs. & M = 1000 pcs.

± UL and CSA approved tooling/product combinations. Prime items appear in **BOLD**.

For complete product and specification information visit our website at [www.panduit.com/eg](http://www.panduit.com/eg) or call: 800-777-3300

Sold exclusively through authorized PANDUIT distributors.